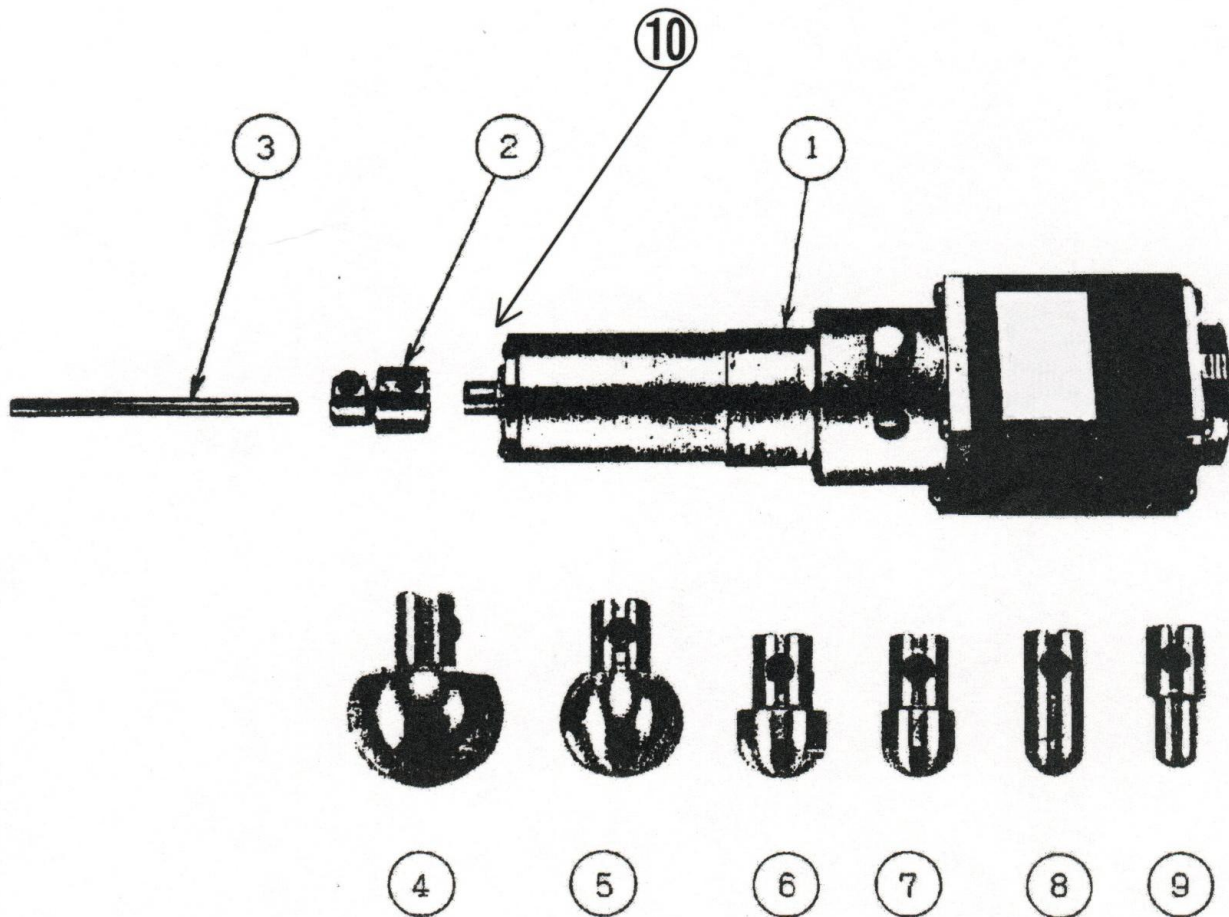
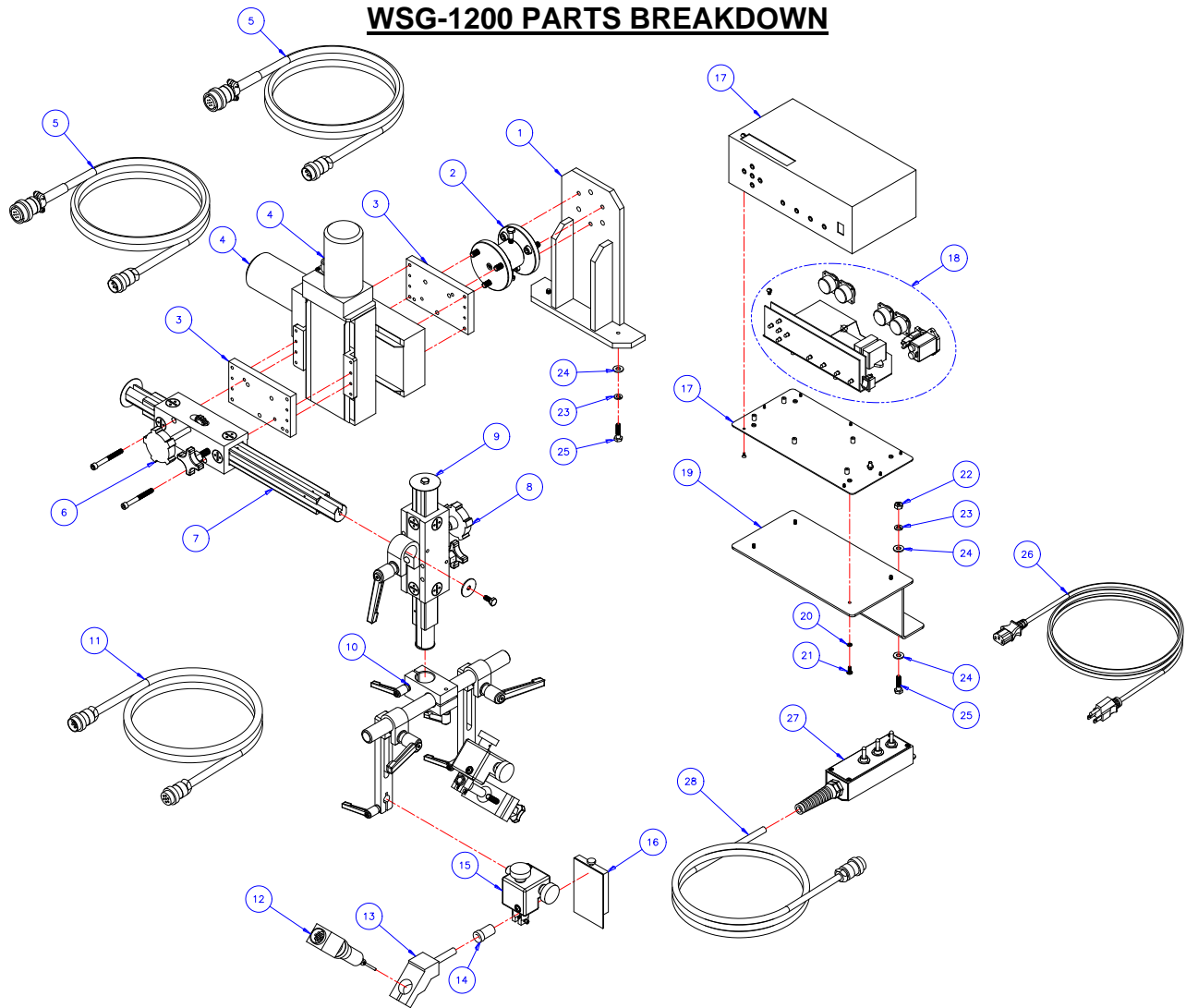


SENSOR PROBE PARTS



Ref. No.	Part Number	Description	Qty.	Remarks
	WS-210 (WSG-1200) Or WS-220 (WSG-2200)	Sensing Probe Assembly		Items 1, 2, 3 & 10
1	WS-2	Sensor Body	1	Specify for a WSG-1200 or WSG-2200 when ordering
2	WS-6	Shock Protector	3	Includes set screws Consumable
3	WS-3	Sensor Rod	1	Consumable
4	TP-20-KC	Guide Tip, 0.79" [20 mm] Ø	0	Optional Consumable
5	TP-16-KC	Guide Tip, 0.63" [16 mm] Ø	0	Optional Consumable
	TP-14-KC	Guide Tip, 0.55" [14 mm] Ø	0	Optional Consumable
6	TP-12-KC	Guide Tip, 0.47" [12 mm] Ø	0	Optional Consumable
7	TP-10-KC	Guide Tip, 0.39" [10 mm] Ø	0	Optional Consumable
8	TP-8-KC	Guide Tip, 0.31" [8 mm] Ø	0	Optional Consumable
9	TP-6-KC	Guide Tip, 0.24" [6 mm] Ø	0	Optional Consumable
10	WS-220-3A	Protective Washer	1	Consumable

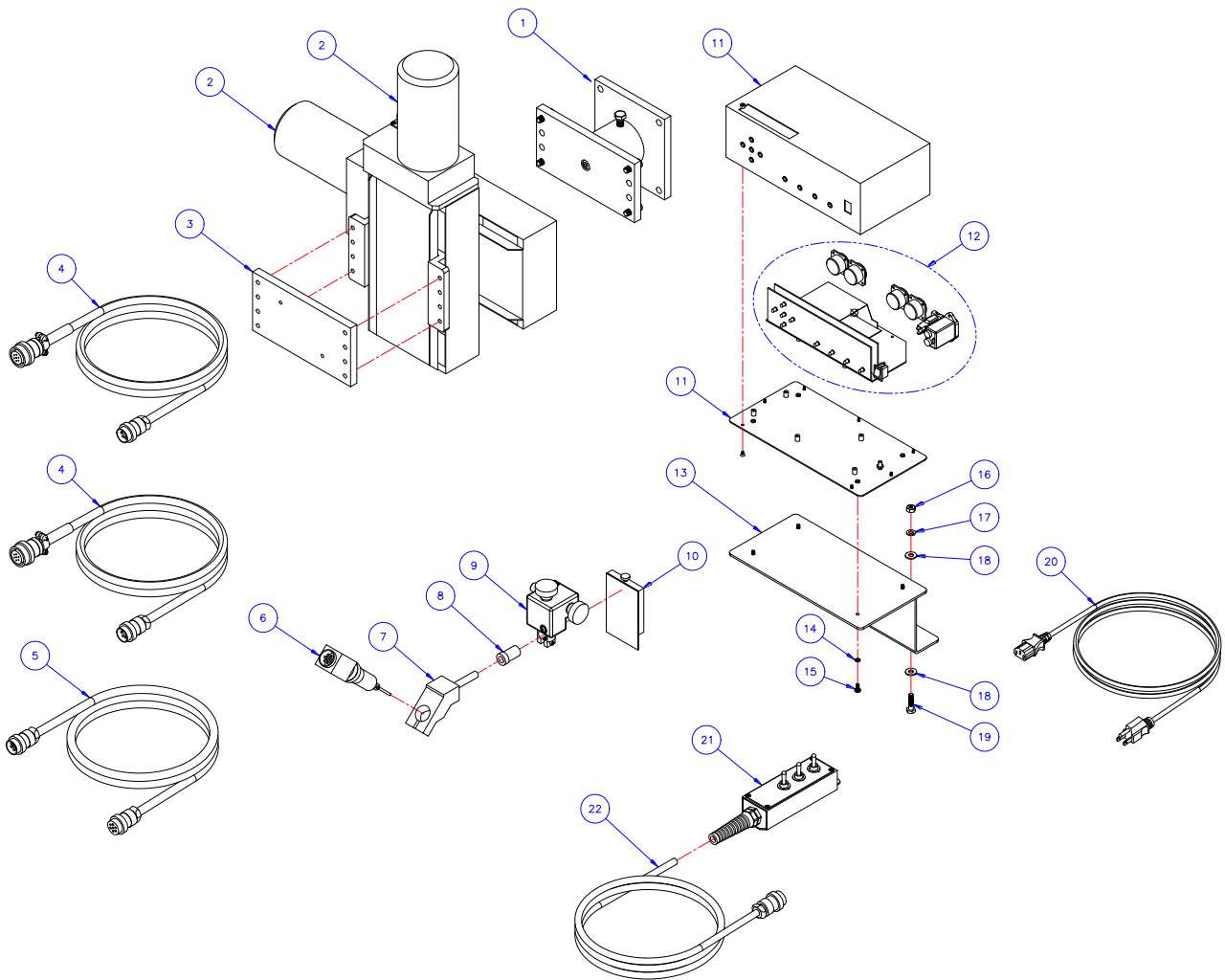
WSG-1200 PARTS BREAKDOWN



Item	Part Number	Description	Qty.
1	GK-190-149	Seam Tracker Slide Bracket	1
2	WS-250-009	Slide Pivot Mounting assembly	1
3	WS-250-012	Slide Adaptor Plate	2
4	WS-250-019	"Kat Tracker" Slide 4" [100 mm] Stroke 9.8"/min [250 mm/min] Speed	2
5	WS-250-020	Slide Cable Assembly 5' [1.5 m]	2
6	GK-171-650	1-1/8" Rack Box Assembly	1
7	GK-171-047-2	1-1/8" x 18" Rack Arm	1
8	GK-171-685	1-1/8" Swivel Rack Box Assembly	1
9	GK-171-047-1	1-1/8" x 12" Rack Arm	1
10	WS-250-013	Torch & Probe Mounting Assembly	1
11	WS-250-014	Probe Cable Assembly 6.5' [2 m]	1
12	WS-250-015	WS-210 Sensor Probe	1
13	WS-250-016	Probe Holder	1

Item	Part Number	Description	Qty.
14	WS-250-017	Insulating Bushing	1
15	GK-186-300	Micro Cross Slide	1
16	WS-250-018	Spatter Shield Assembly	1
	WS-250	"Kat Tracker" Control Assembly (Includes Items 17 & 18)	1
17	WS-250-021	"Kat Tracker" Case Assembly	1
18	WS-250-022	Control Internal Assembly	1
19	WS-250-004	"Kat Tracker" Control Box Mount	1
20	GK-136-059	# 8 Lock Washer	4
21	GK-112-061	# 8-32 x 3/8" Pan Head Screw	4
22	GK-109-050	1/4"-20 Hex Nut	2
23	GK-136-053	1/4" Lock Washer	4
24	GK-111-051	1/4" washer x 5/8" O.D.	6
25	GK-108-052	1/4"-20 x 1" Hex Bolt	4
26	WS-250-023	Power Cord Assembly	1
	WS-250-005	"Kat Tracker" Remote Assembly (Includes Items 27 & 28)	1
27	WS-250-024	Remote Case Sub-Assembly	1
28	WS-250-025	"Kat Tracker" Remote Cable 6.5' [2 m]	1

WSG-2200 PARTS BREAKDOWN

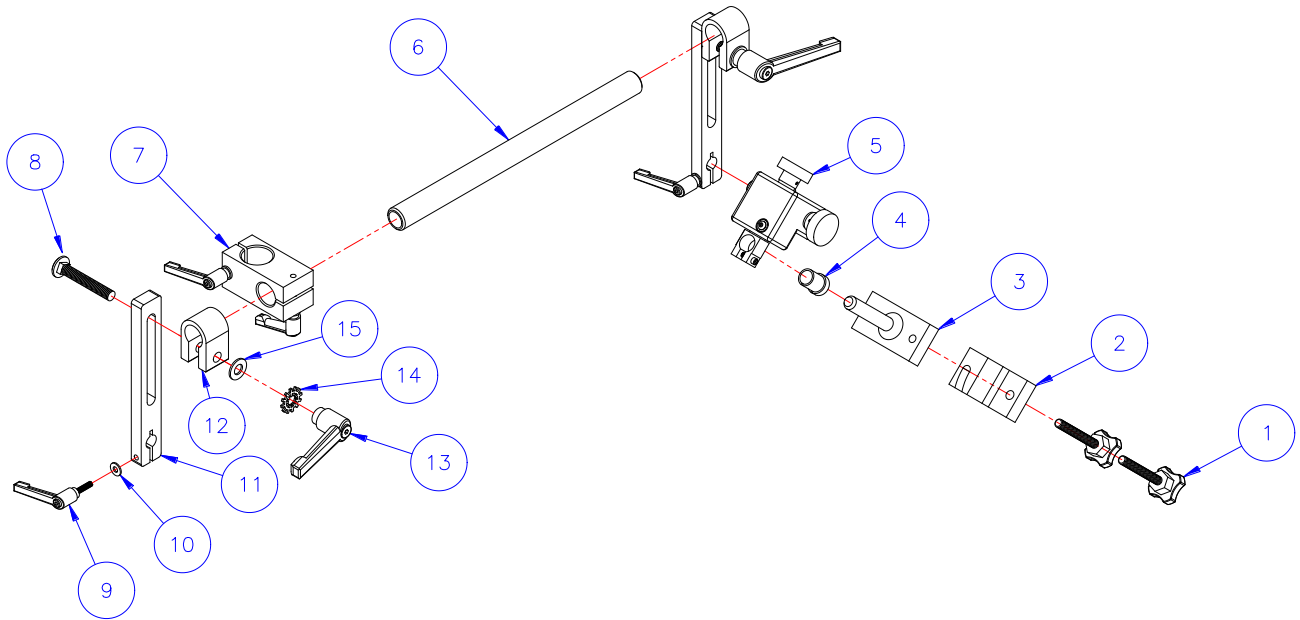


Item	Part Number	Description	Qty.
1	WS-250-026	Heavy Duty Pivot Mounting Assembly	1
2	WS-250-029	"Kat Tracker" Slide 6" [150 mm] Stroke 9.8"/min [250 mm/min] Speed	2
3	WS-250-030	Slide Adaptor Plate	1
4	WS-250-020	Slide Cable Assembly 5' [1.5 m]	2
5	WS-250-014	Probe Cable Assembly 6.5' [2 m]	1
6	WS-250-031	WS-220 Sensor Probe	1
7	WS-250-016	Probe Holder	1
8	WS-250-017	Insulating Bushing	1
9	GK-186-300	Micro Cross Slide	1
10	WS-250-018	Spatter Shield Assembly	1
	WS-250-032	"Kat Tracker" Control Assembly (Includes Items 11 & 12)	1

Item	Part Number	Description	Qty.
11	WS-250-021	"Kat Tracker" Case Assembly	1
12	WS-250-022	Control Internal Assembly (2 x 3.5 mf Capacitors Removed From Item 12)	1
13	WS-250-004	"Kat Tracker" Control Box Mount	1
14	GK-136-059	# 8 Lock Washer	4
15	GK-112-061	# 8-32 x 3/8" Pan Head Screw	4
16	GK-109-050	1/4"-20 Hex Nut	2
17	GK-136-053	1/4" Lock Washer	2
18	GK-111-051	1/4" washer x 5/8" O.D.	4
19	GK-108-052	1/4"-20 x 1" Hex Bolt	2
20	WS-250-023	Power Cord Assembly	1
	WS-250-005	"Kat Tracker" Remote Assembly (Includes Items 27 & 28)	1
21	WS-250-024	Remote Case Sub-Assembly	1
22	WS-250-025	"Kat Tracker" Remote Cable 6.5' [2 m]	1

WS-250-013 TORCH & PROBE MOUNTING ASSEMBLY

PARTS BREAKDOWN



ITEM	PART No.	DESCRIPTION	QTY.
1	GK-190-077	SCREW KNOB	2
2	GK-187-026-L	TORCH CLAMP LEFT	1
3	GK-187-026-R	TORCH CLAMP RIGHT	1
4	GK-187-027	FIBRE BUSHING	1
5	GK-186-300	MICRO CROSS SLIDE	1
6	GK-190-029	MOUNTING TUBE	1
7	GK-171-112	1-1/8 TO 1-1/8 ADAPTER BLOCK ASSY	1
8	GK-160-010	3/8-16UNC X 2 1/4 CARRIAGE BOLT	2
9	GK-153-009	#10-32UNF X 0.78 ADJUSTABLE HAND LEVER	2
10	GK-111-068	#10 WASHER	2
11	GK-190-136	LINK ARM	2
12	GK-165-137	7/8 SWIVEL CLAMP	2
13	GK-153-004	3/8-16UNC FEMAL ADJUSTABLE HAND LEVER	2
14	GK-129-007	3/8 STAR WASHER	2
15	GK-111-055	3/8 STANDARD WASHER	2